

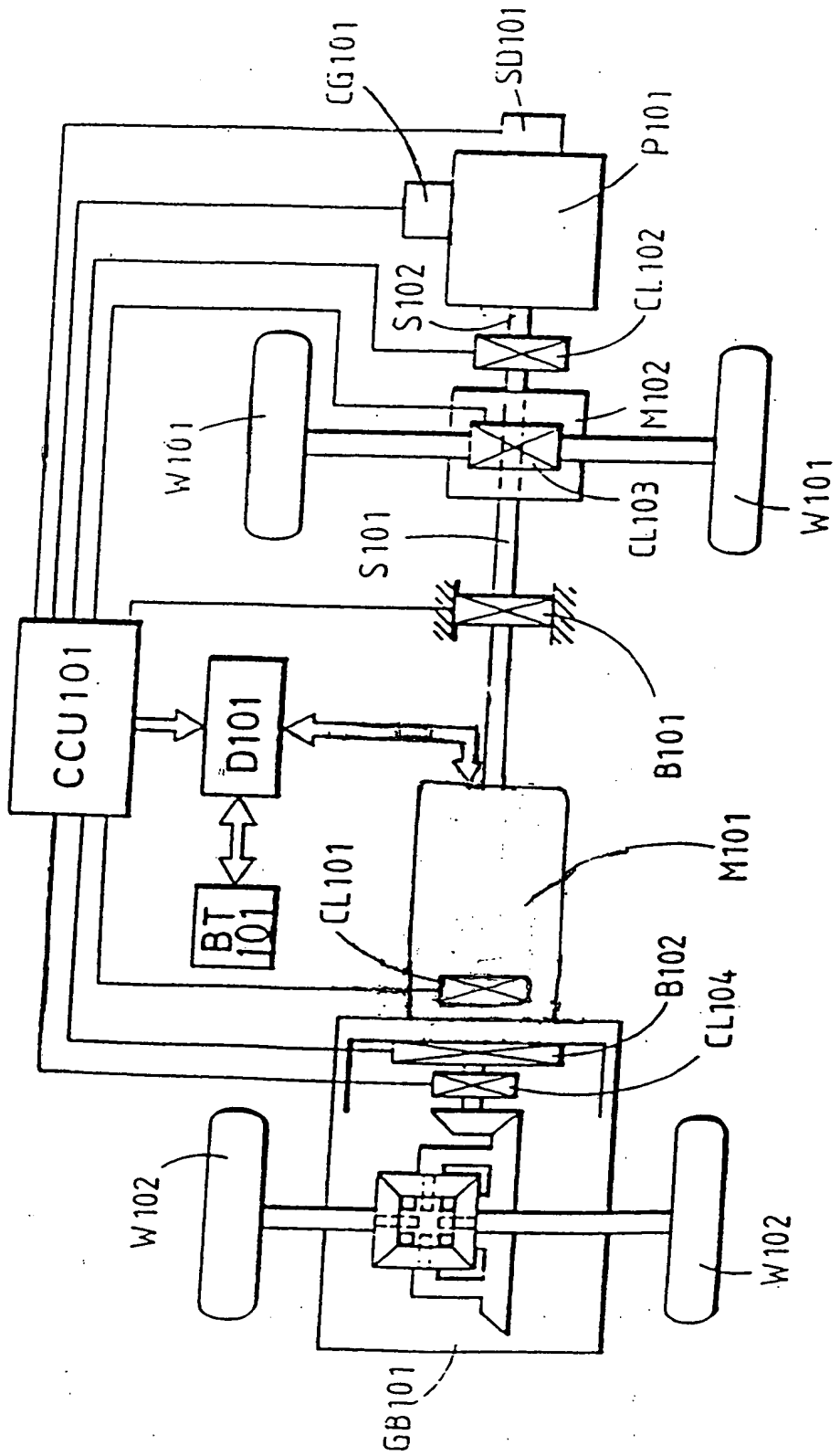
Serial Number 09/580,968

AMENDMENTS TO THE DRAWINGS

Please substitute replacement Figs. 1-8, attached hereto.

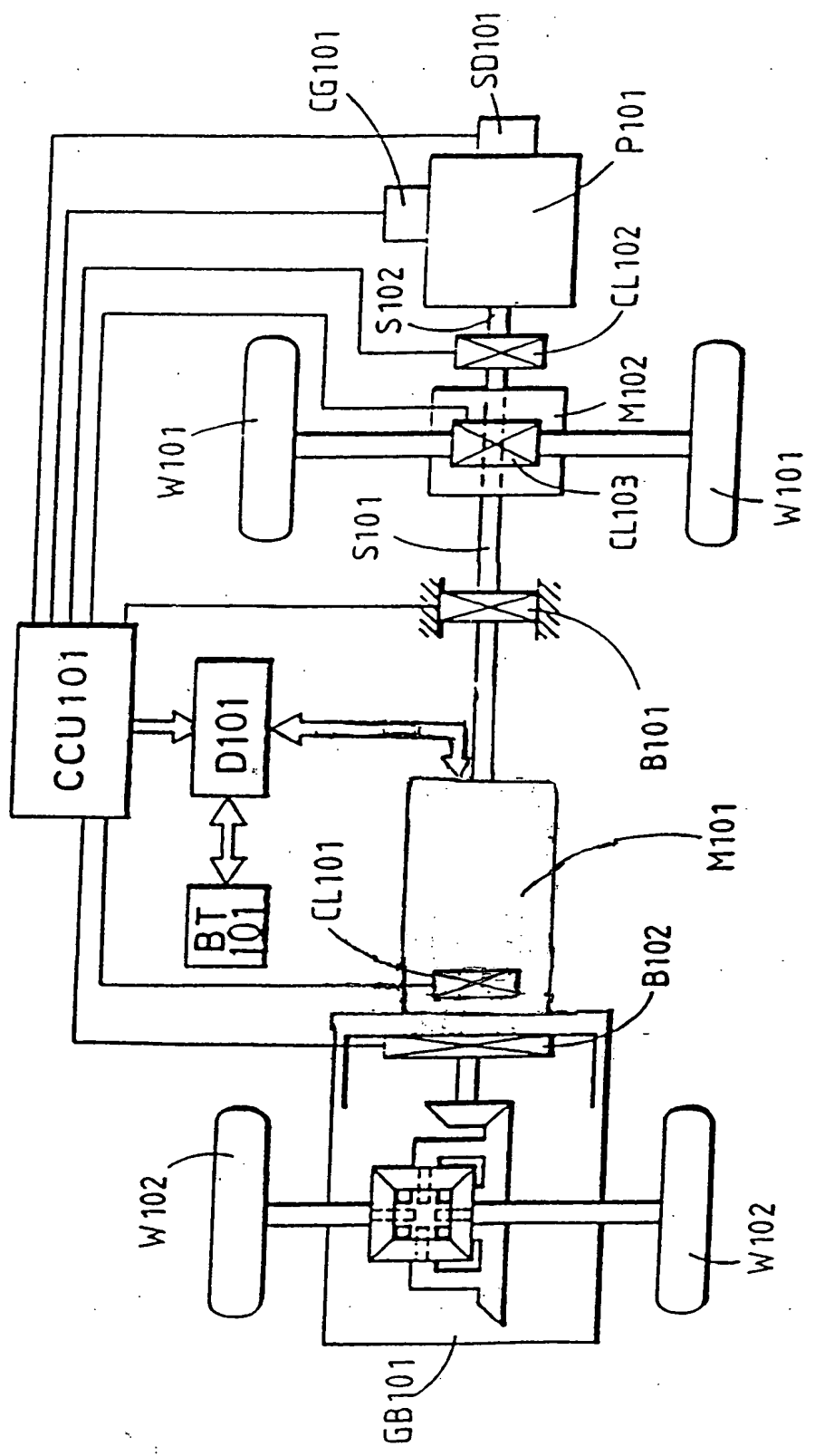
PIPE
DEC 22 2003
U.S. TRADEMARK OFFICE 6631

AMENDED FIG. 1



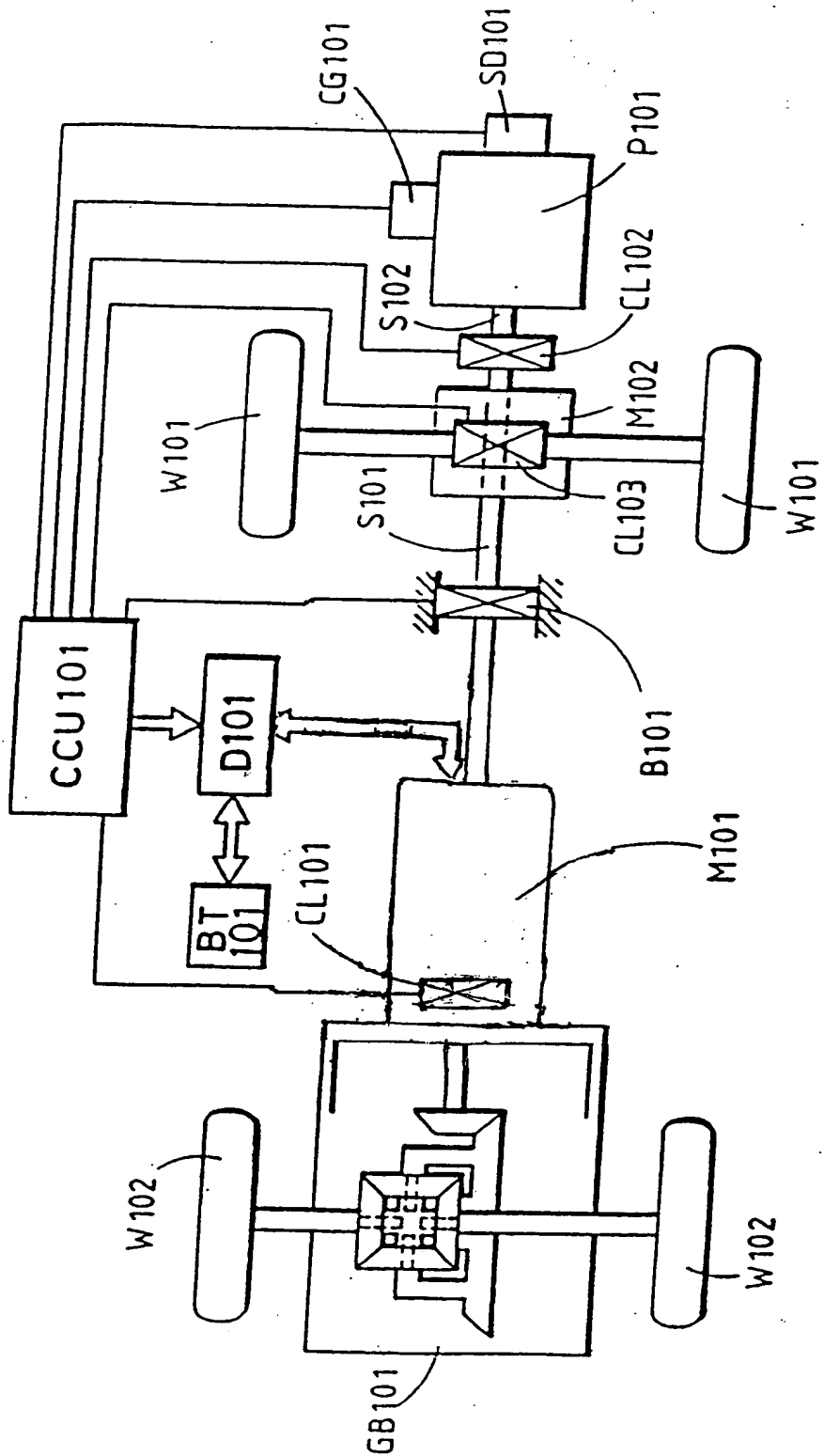
TRADE MARK OFFICE 8620
DEC 22 2003
STPE

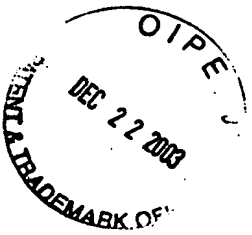
AMENDED FIG. 2



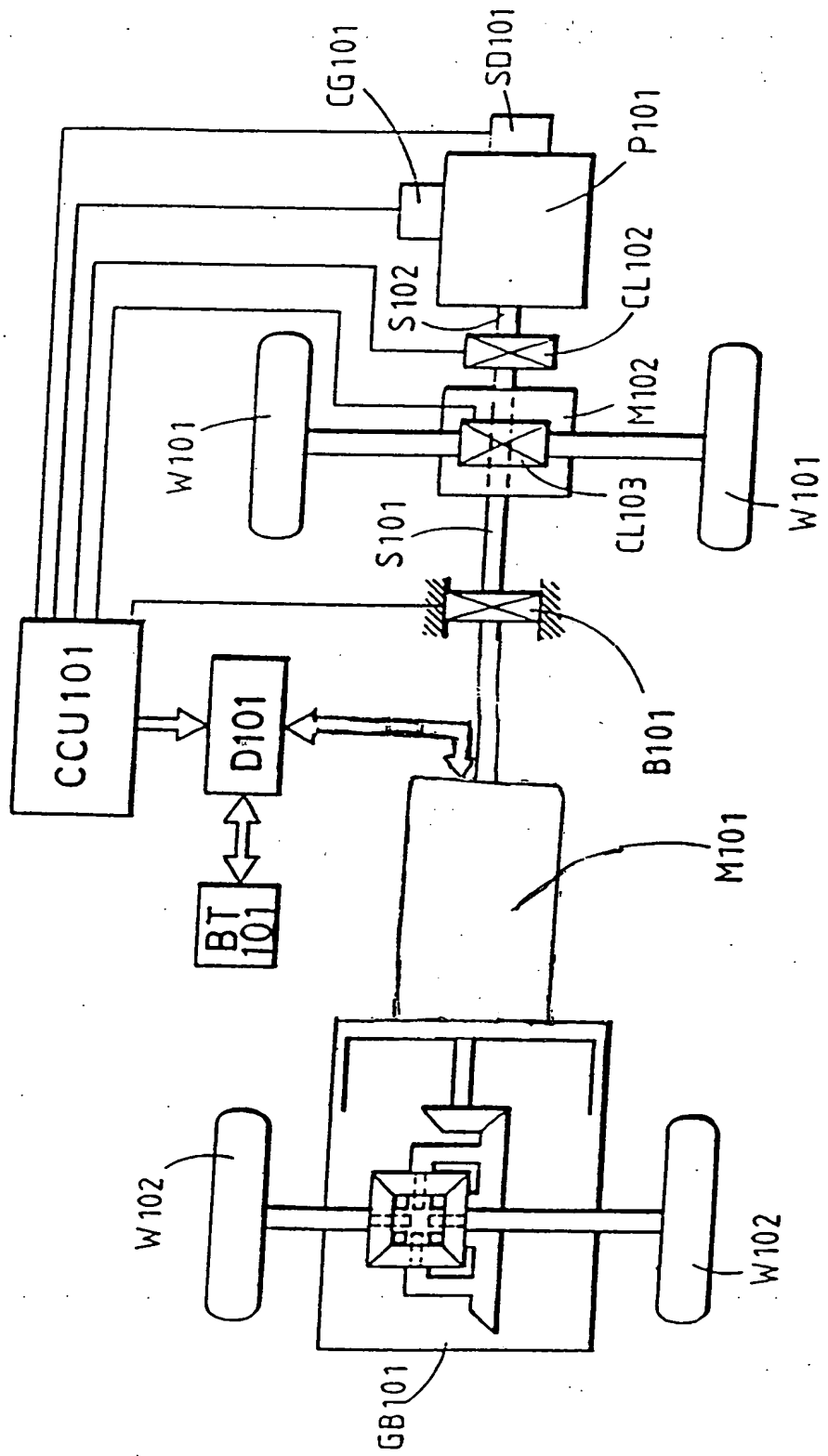


AMENDED FIG. 3



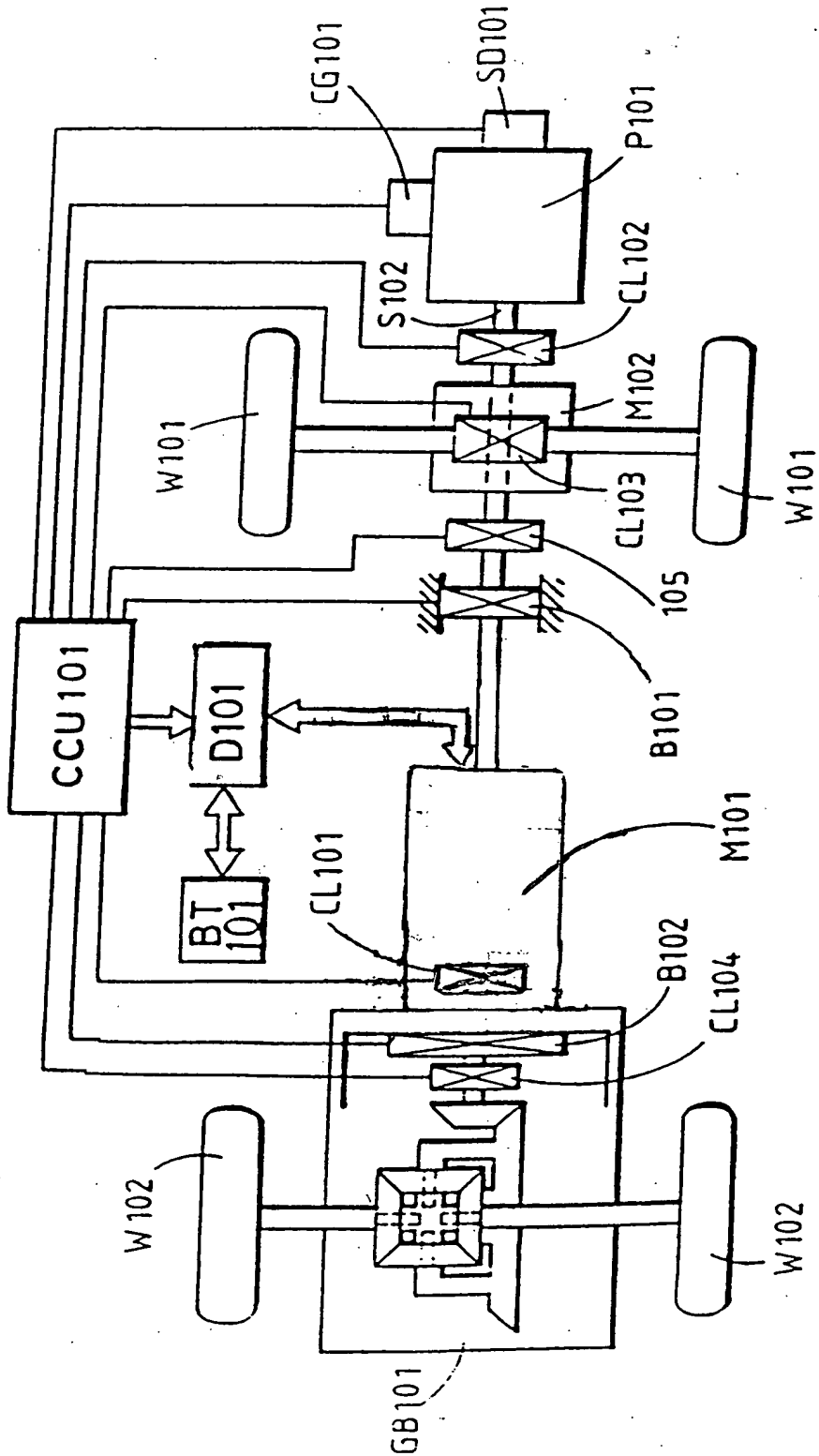


AMENDED FIG. 4



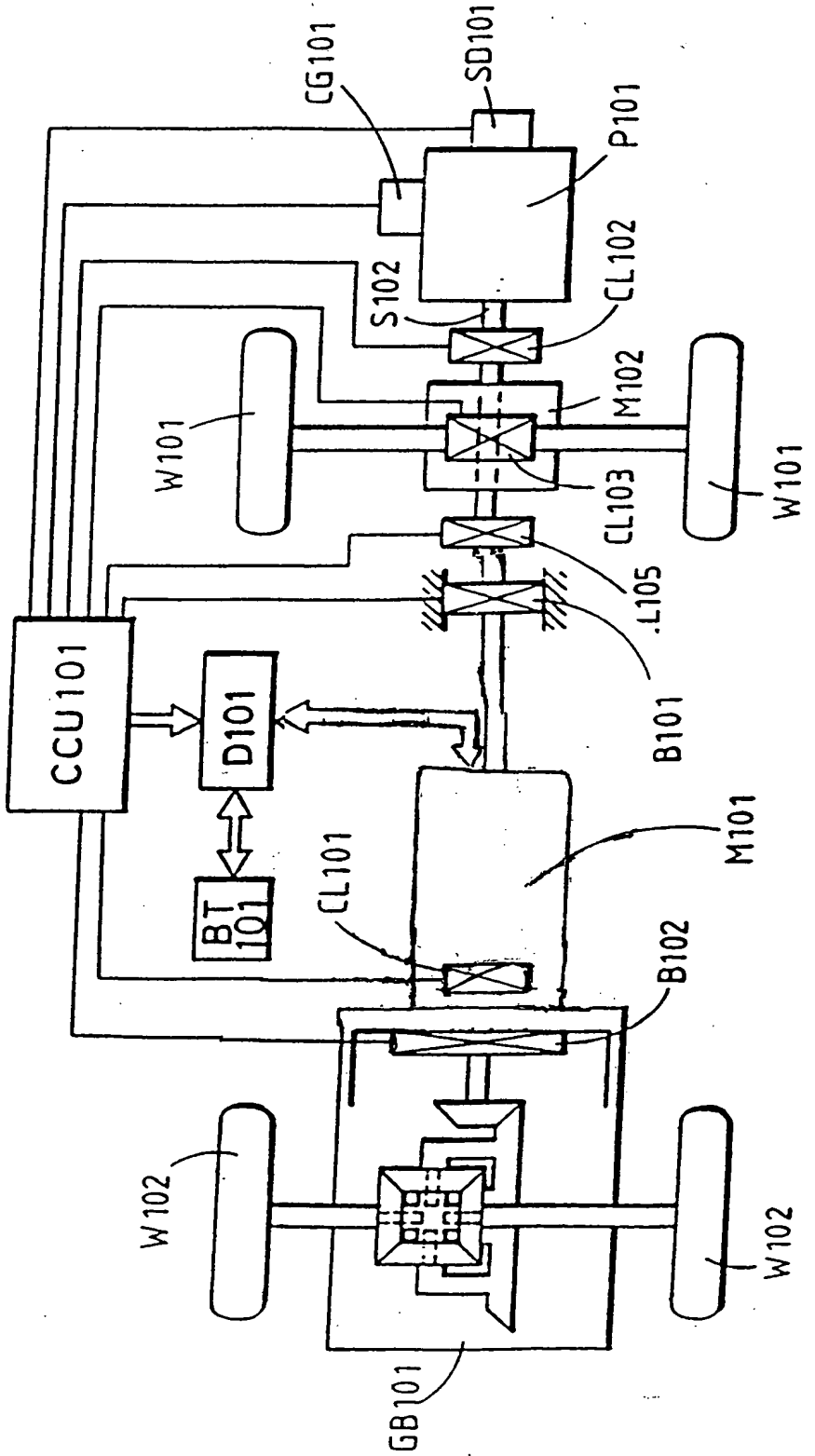
DEC 22 2003
U.S. TRADEMARK OFFICE

AMENDED FIG. 5



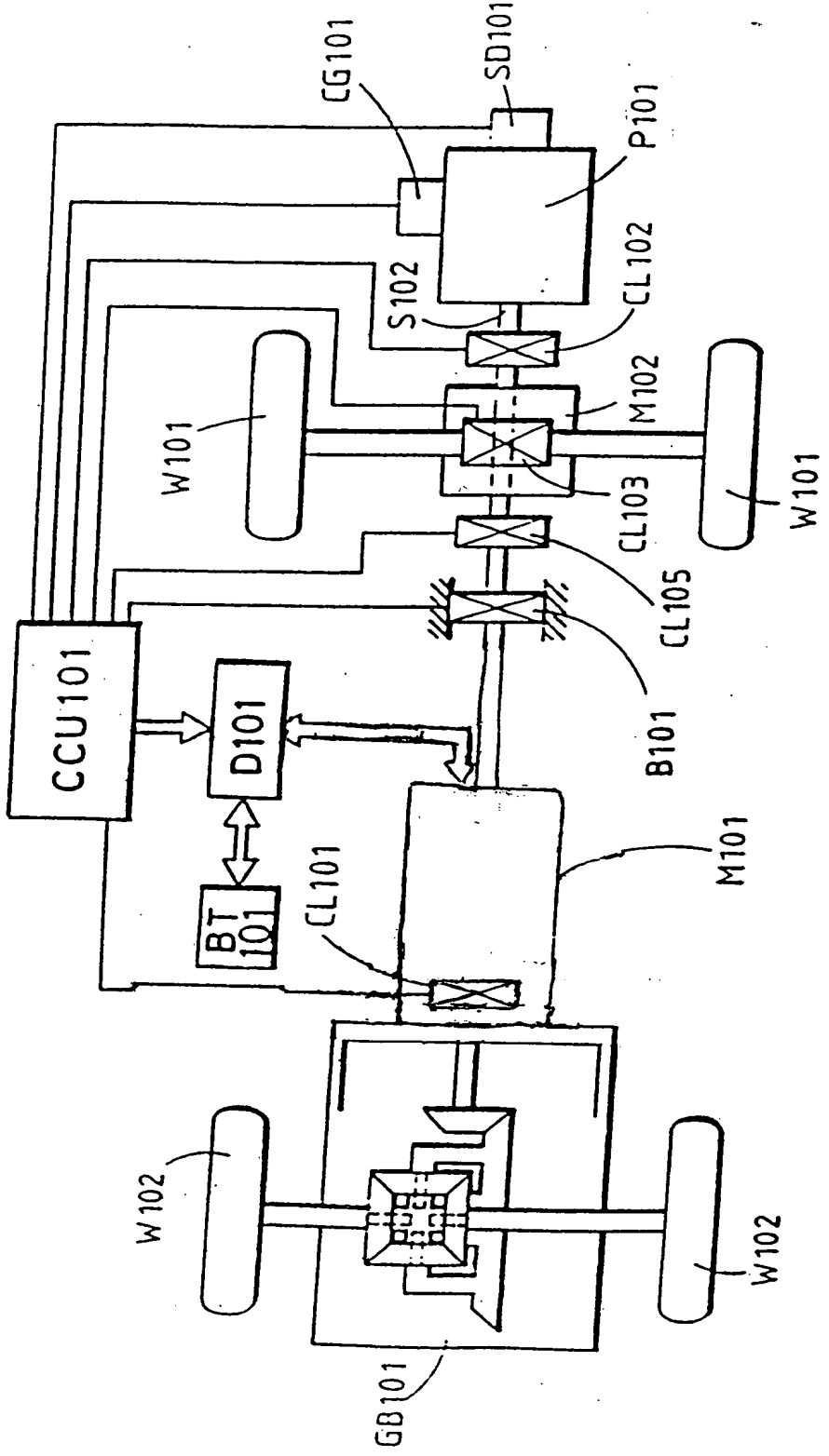
STEP
DEC 22 2003
TRADEMARK OFFICE

AMENDED FIG. 6



OTIP
DEC 22 2003
TRADEMARK OFFICE

AMENDED FIG. 7





AMENDED FIG. 8

